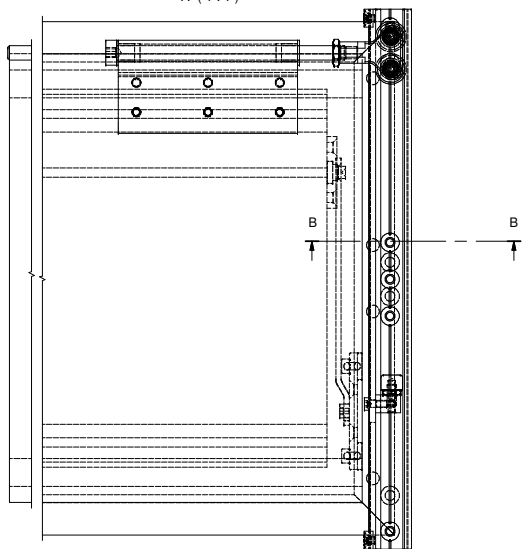


A

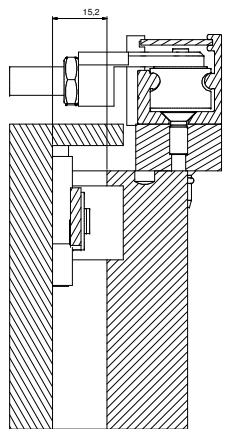
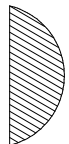
A (1:1)



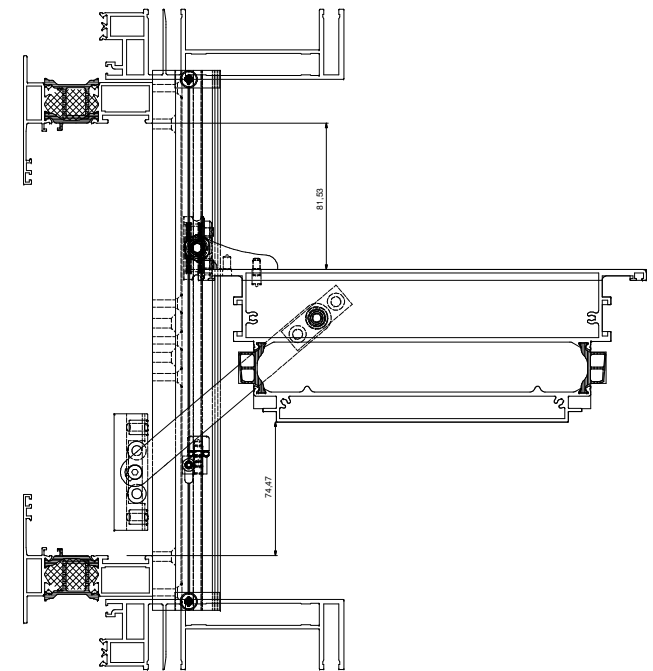
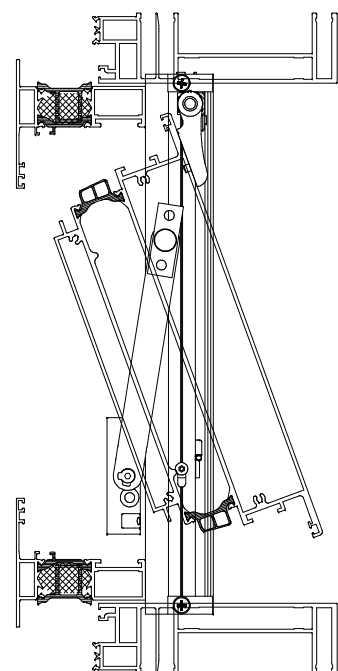
B

B

B-B (2:1)



15.2



74.47

61.23